

10 MAINTENANCE AND CLEANING

The following points have to be considered during the inspection:

- 1) All screws for installing the devices or parts of the device have to be tightly connected and must not be corroded.
- 2) There must not be any deformations on the housing, color lenses, fixations and installation spots (ceiling, suspension, trussing).
- 3) Mechanically moved parts must not show any traces of wearing and must not rotate with unbalances.
- 4) The electric power supply cables must not show any damage, material fatigue or sediments.

Further instructions depending on the installation spot and usage have to be adhered by a skilled installer and any safety problems have to be removed.



CAUTION

Disconnect from mains before starting maintenance operation.



In order to make the lights in good condition and extend the life time, we suggest a regular cleaning to the lights.

- 1) Clean the inside and outside lens each week to avoid the weakness of the lights due to accumulation of dust.
- 2) Clean the fan each week.
- 3) A detailed electric check by approved electrical engineer each three month, make sure that the circuit contacts are in good condition, prevent the poor contact of circuit from overheating.

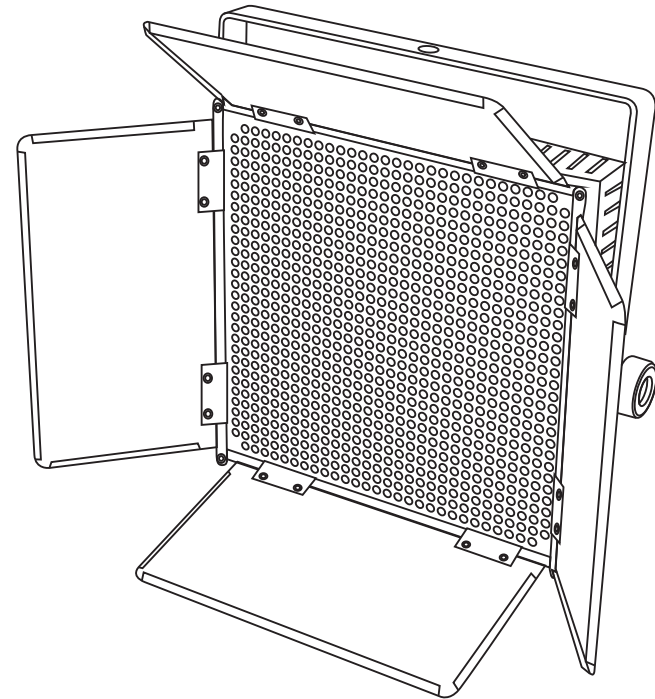
We recommend a frequent cleaning of the device. Please use a moist, lint- free cloth. Never use alcohol or solvents.

There are no serviceable parts inside the device. Please refer to the instructions under "Installation instructions".

Should you need any spare parts, please order genuine parts from your local dealer.

JUNIOR

PR



JNR PANEL 8965 JNR-8145B

PR LIGHTING LTD.
<http://www.pr-lighting.com>
1582 Xingye Avenue, Nancun Panyu
Guangzhou, 511442 China
TEL: +86-20-3995 2888

1 SAFETY INSTRUCTIONS



CAUTION

Becareful with your operations. With a dangerous voltage you cansuffer a dangerous electric shock when touching wires!

This device has left the factory in perfect condition. In order to maintain this condition and to ensure a safe operation, it is absolutely necessary for the user to follow the safety instructions and warning notes written in this user manual.



IMPORTANT

Damages caused by the disregard of this user manual are not subject to warranty. The dealer will not accept liability for any resulting defects or problems.

If the device has been exposed to temperature changes due to environmental changes, do not switch it on immediately. The arising condensation could damage the device. Leave the device switched off until it has reached room temperature.

This device falls under protection-class I. Therefore it is essential that the device be earthed.

The electric connection must carry out by qualified person.

The device shall only be used with rate voltage and frequency.

Make sure that the available voltage is not higher than stated at the end of this manual.

Make sure the power cord is never crimped or damaged by sharp edges. If this would be the case, replacement of the cable must be done by an authorized dealer.

Always disconnect from the mains, when the device is not in use or before cleaning it. Only handle the power cord by the plug. Never pull out the plug by tugging the power cord.

During initial start-up some smoke or smell may arise. This is a normal process and does not necessarily mean that the device is defective, it should decrease gradually.

Please don't project the beam onto combustible substances.

Fixtures cannot be installed on combustible substances, keep more than 50cm distance with wall for smooth air flow, so there should be no shelter for fans and ventilation for heat radiation.

If the external flexible cable or cord of this luminaire is damaged, it shall be exclusively replaced by the manufacturer or his service agent or a similar qualified person in order to avoid a hazard.

9 DMX CHANNELS

2CH Mode

Channel	Function	Value	Description
1	Cool White	0-255	Cool White Dimmer
2	Warm White	0-255	Warm White Dimmer

5CH Mode

Channel	Function	Value	Description
1	Dimmer	0-255	Dimmer
2	Cool White	0-255	Color 1
3	Warm White	0-255	Color 2
4	Strobe	0-10	No strobe
		11-255	Speed pf strobe (255 is fastest)
5	Program	0-20	Dimmer speed 4(slowest and smoothest)
		21-40	Dimmer speed 3
		41-60	Dimmer speed 2
		61-80	Dimmer speed 1
		81-99	Dimmer speed OFF(fastest, no delay)
		100-109	Inner program 1
	(each 10 data for program)
		190-199	Inner program 10
		200-240	color by sound Control
		241-255	Strobe by Sound Control

8 MENU OPERATIONS

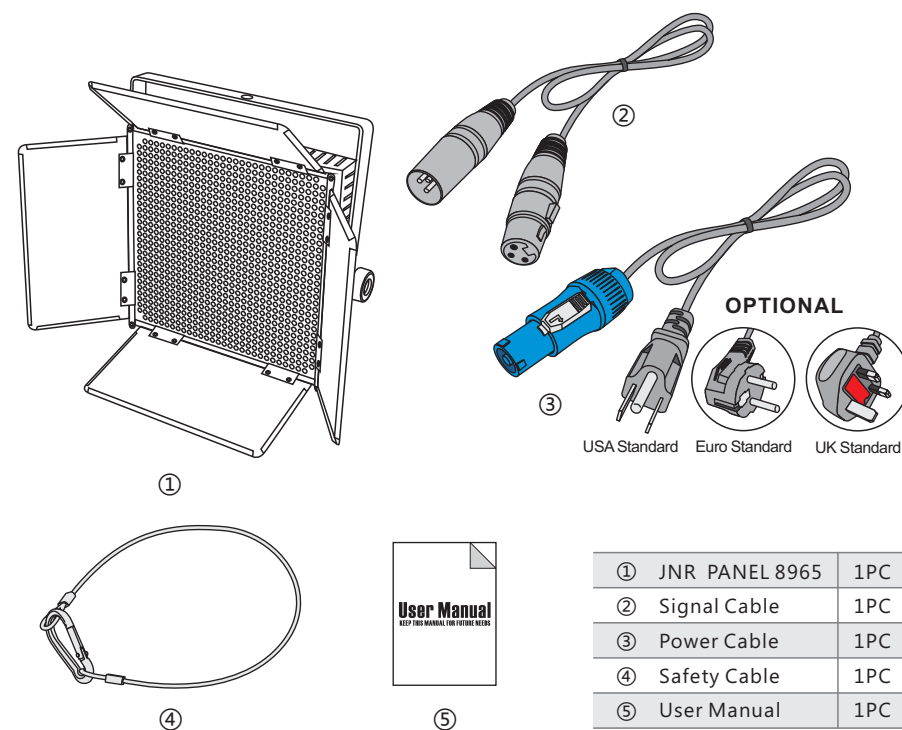
Menu	Operation		Description	
Language		中文/English	Change language	
Screen Saver	State		Show the running state	
	LOGO		Show LOGO	
	Black screen		Black screen	
	Close		No screen protect	
Run model	DMX Model	DMX Address	001~512	DMX Setting
		Channel mode	Normal/Simple	Change Channel
	State Model	Color 1	000~255	CW Dimmer
		Color 2	000~255	WW Dimmer
		Strobe	000~020	Strobe
	Auto Model	Program	01~10	Model Program
		Speed	10~20	Model Speed
	Sound Model		01~02	Sound Model
VR Mode			VR Mode	
Information	Software			
	Version			
	Temperature			
	DMX Status			
Advanced	Temperature		40~120	Set the protect temperature
	Reset			Reset the product

2 UNPACKING

Thank you for choosing our JNR PANEL 8965. For your own safety, please read this manual before installing the device. This manual covers the important information on installation and applications. Please install and operate the fixture with following instructions. Meanwhile, please keep this manual well for future needs.

The JNR PANEL 8965 is made of a new type of high temperature strength of cast aluminum casing with nice outlook. The fixture is designed and manufactured strictly following CE standards, complying with international standard DMX512 protocol. It's available independently controlled and linkable with each other for operation. And it is applicable for large-scale live performances, theater, studio, nightclubs and discos.

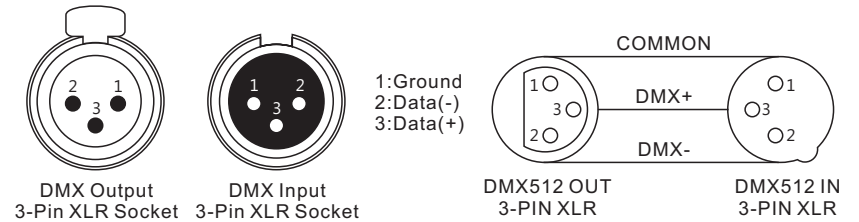
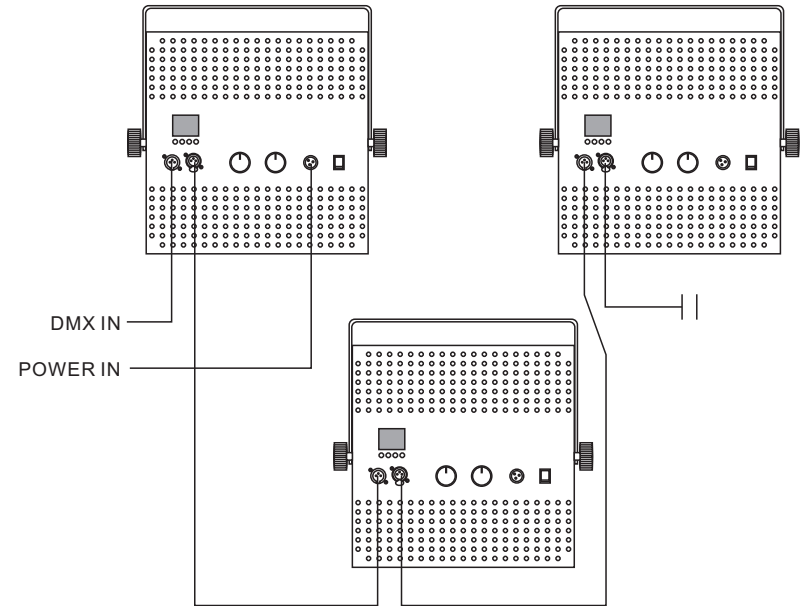
The JNR PANEL 8965 adopts 896PCS premium quality and high CRI 5mm LEDs(Cool White+Warm White) which features high brightness and stability. Please carefully unpack it when you receive the fixture and check whether it is damaged during the transportation. And please check whether the following items are included inside the box:



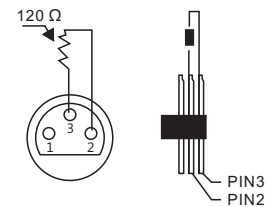
3 FEATURES & SPECIFICATIONS

Features

- 896PCS premium quality and high CRI 5mm LEDs (Cool White+Warm White)
- Accurate color temperatures tunable from 3200K to 5600K
- 50,000 hours life span and low power consumption
- Color Rendering Index(CRI): $R_a \geq 80$
- High efficiency lens
- Flat and even projection with soft edge
- High intensity, long throw and 45° wide field angle
- Housing made by rugged, die cast aluminum alloy
- Thermally insulated knobs and single aluminum handle for installing
- Barn door included
- Tripod stand as optional
- Tour bag as optional
- Superior free noise thermal cooling system
- 0-100% Smooth and precise linear dimmer
- 2 Individual dimmer knobs to adjust color temperatures
- No noticeable color shift throughout the entire range
- Flicker-free at any frame rate or shutter angle
- 25T/sec high speed shutter/strobe effect with variable speed
- Preset variable/random strobe and dimming pulse effect
- 2/5 DMX channels USITT DMX-512
- DMX512, master-slave, and sound control or auto operation
- 4-Button LCD display
- Durable, industry standard 3-pin XLR locking power connector
- 12V DC power adapter included
- Power switch available
- 3-Pin connectors IN/OUT
- -35-45°C Max ambient temperature
- IP20 protection rating



For installations where the DMX cable has to run a long distance or is in an electrically noisy environment, such as in a discotheque, it is recommended to use a DMX terminator. This helps in preventing corruption of the digital control signal by electrical noise. The DMX terminator is simply an XLR plug with a 120 Ω resistor connected between pins 2 and 3, which is then plugged into the output XLR socket of the last fixture in the chain. Please see illustrations below.

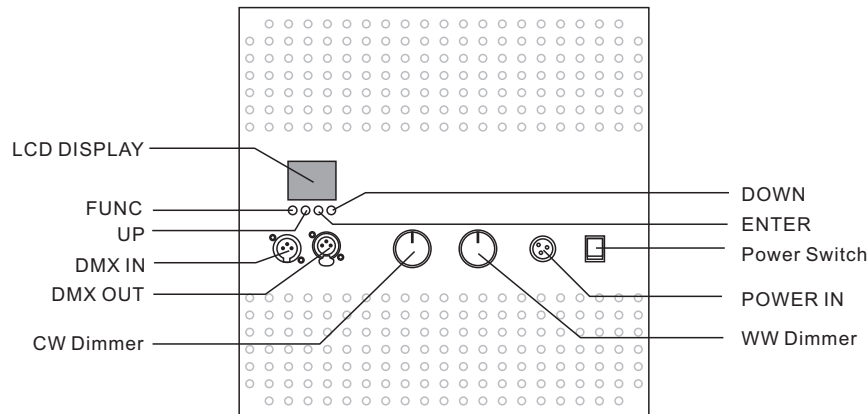


Regardless of the rigging option you choose for your JNR PANEL 8965, always be sure to secure your fixture with a safety cable. The fixture provides a built-in rigging point for a safety cable on the hanging bracket as illustrated above. Be sure to only use the designated rigging point for the safety cable and never secure a safety cable to a carrying handle.

7 DMX-512 CONTROL CONNECTIONS

Connect the provided XLR cable to the female 3-pin XLR output of your controller and the other side to the male 3-pin XLR input of the studio light. You can chain multiple Studio light together through serial linking. The cable needed should be two core, screened cable with XLR input and output connectors. Please refer to the diagram below.

DMX-512 connection with DMX terminator



Specifications

Input Voltage: AC90-260V 50/60Hz

LED Quantities: 896PCS premium quality and high CRI 5mm LEDs
(Cool White + Warm White)

Control Signal: DMX512, master-slave and sound activated or auto operation

Control Channel: 2/5 channels USITT DMX-512

Power Consumption: 54W

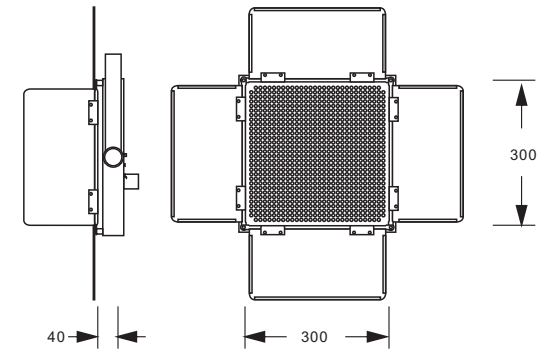
Dimensions: 40(D)*300(W)*300(H)mm

Packing List: 115(D)*400(W)*440(H)mm (1PC)

Packing List: 375(D)*900(W)*425(H)mm (6PCS)

Net Weight: 1.85kg

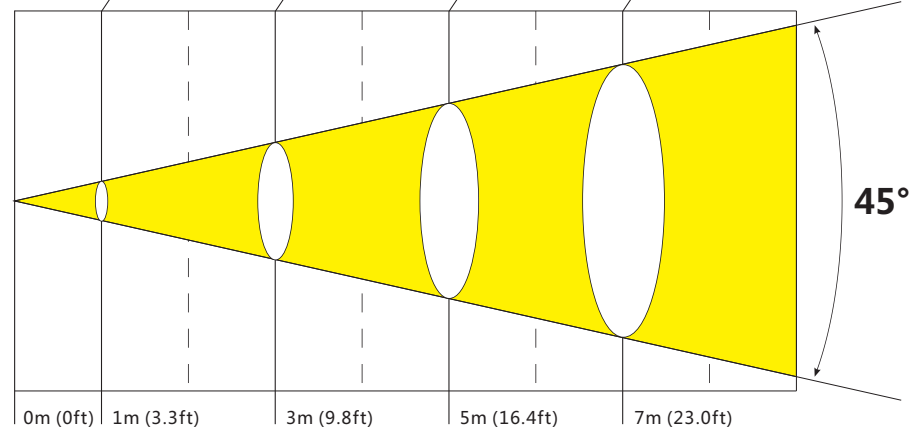
Gross Weight: 4kg



4 PHOTOMETRIC DATA

Photometric Beam Angle Data 45° Beam Angle $LUX \times 0.0929 = FC$

WW	163 / 1759	30 / 326	13 / 136	7 / 71	
CW	192 / 2072	37 / 400	14 / 151	8 / 82	
ALL	399 / 4293	69 / 745	26 / 283	14 / 151	(FC/LUX)



5 OPERATION INSTRUCTIONS

- The JNR PANEL 8965 is an LED wash light for on-site decoration purpose.
- Don't turn on the fixture if it's been through severe temperature difference like after transportation because it might damage the light due to the environment changes. So make sure to operate the fixture until it is in normal temperature.
- This light should be kept away from strong shaking during any transportation or movement.
- Don't pull up the light by only the head, or it might cause damages to the mechanical parts.
- Don't expose the fixture in overheat, moisture or environment with too much dust when installing it. And don't lay any power cables on the floor. Or it might cause electronic shock to the people.
- Make sure the installation place is in good safety condition before installing the fixture.
- Make sure to put the safety chain and check whether the screws are screwed properly when installing the fixture.
- Make sure the lens are in good condition. It's recommended to replace the units if there are any damages or severe scratch.
- Make sure the fixture is operated by qualified personnel who knows the fixture before using.
- Keep the original packages if any second shipment is needed.
- Don't try to change the fixtures without any instruction by the manufacturer or the appointed repairing agencies.
- It is not in warranty range if there are any malfunctions from not following the user manual to operate or any illegal operation, like shock short circuit, electronic shock, lamp broke, etc.

6 INSTALLATIONS

Cautions: For added protection mount the fixtures in areas outside walking paths, seating areas, or in areas where the fixture might be reached by unauthorized personnel.

Before mounting the fixture to any surface, make sure that the installation area can hold a minimum point load of 10 times the device's weight.

Fixture installation must always be secured with a secondary safety attachment, such as an appropriate safety cable.

Never stand directly below the device when mounting, removing, or servicing the fixture.

from a ceiling, or set on a flat level surface (see illustration below). Be sure this fixture is kept at least 0.5m (1.5 ft) away from any flammable materials (decoration etc.).

Always use and install the supplied safety cable as a safety measure to prevent accidental damage and/or injury in the event the clamp fails.

Mounting points: Overhead mounting requires extensive experience, including amongst others calculating working load limits, a fine knowledge of the installation material being used, and periodic safety inspection of all installation material and the fixture. If you lack these qualifications, do not attempt the installation yourself. Improper installation can result in bodily injury.

Be sure to complete all rigging and installation procedures before connecting the main power cord to the appropriate wall outlet.

Clamp Mounting: The JNR PANEL 8965 provides a unique mounting bracket assembly, and the safety cable rigging point in one unit (see the illustration below). When mounting this fixture to truss be sure to secure an appropriately rated clamp to the handle using a M10 screw fitted through the center hole of the handle. As an added safety measure be sure to attached at least one properly rated safety cable to the fixture using on of the safety cable rigging point.

