

LSBAR 336

PR-6811

The user manual contains important information about the safe installation and use of a projector. Please read and follow these instructions carefully and keep the manual in a safe place for future reference.

INDEX

NO.	CONTENTS	PAGE
1	SAFETY AND WARNINGS	3
2	INSTRUCTIONS	4
3	APPEARANCE	5
4	INSTALLATION	5
5	DMX PROTOCOL	6
6	TECHNICAL DATA	7
7	CIRCUIT DIAGRAM AND FIXTURE CONNECTIONS	9
8	COMPONENT ORDER CODES	11

ACCESSORIES

The following items are supplied with the projector and please check:

Name	Quantity	Unit	Remark
XLR connector	2	Set	Male and female
User manual	1	Pc	

Please note that as part of our ongoing commitment to continuous product development, specifications are subject to change without notice. Whilst every care is taken in the preparation of the manual we reserve the right to change specifications in the course of product improvement. The publishers cannot be held responsible for the accuracy of the information herein, or any consequence arising from them. Every unit is tested completely and packed properly by the manufacturer. Please make sure the packing and / or the unit are in good condition before installation and use. Should there be any damage caused by transportation, consult your dealer and do not use the unit. Any damage caused by improper use will not be assumed by the manufacturer and / or dealer.

Any future technical change in the user manual won't be with any further notice.

Note: For the products made by Guangzhou PR lighting Ltd, the warranty for the whole product is one year starting from the delivery date but the light source is not within the warranty.








1. SAFETY AND WARNINGS



NOTE

Before a projector's installation, power-on, operation and maintenance, please carefully read the safety information hereinafter!

The following safety signs are used in the user manual.

						
Warning	User Manual	Electrical shock	Goggles	Protective Gloves	Flames	High Temperature



- When unpacking , check if there is transportation damage before using the projector. Should there be any damage caused by transportation, consult your dealer and do not use it.
- The manufacture is not responsible for loss caused by the user not following the manual or changing the projector as he/she likes
- Please be noted that the damage caused by changing the projector at will is not warranted.
- Do not hesitate to contact the dealer or the manufacturer if any questions or advice.



- The unit can be used both indoors and outdoors.For its IP class, please refer to technical data in the user manual.
- The projector should be kept away from high temperature, fire, electrical surge, vibration and strong light while being operated
- The projector is only intended for installation, operation and maintenance by qualified personnel. And the operation must strictly follow the procedures in the manual
- No repairable parts in the projector and do not open covers for maintenance by yourself.



- Don't look straightly into the light sources especially for epileptics, otherwise eyes will be burned.
- Do not connect this device to any type of dimmer pack
- lens and other optical parts shall be replaced immediately if they have deformed or been damaged, otherwise the light output will be compromised.



- Before operation, please confirm that all covers(housing) are on and screws tightened. It's forbidden to use a projector while covers(housing)are off
- Keep the lamp clean and do not touch it with bare hands.
- While operating it, wear protective items.



- Any electrical connection must be carried out by a qualified person .
- Before installation, please confirm the voltage supplied matches what is required for the projector
- Each projector must be properly earthed and installed as per related electrical standards.
- Do not use power cord with its insulator damaged and connect the power cord with other cables.
- If the projector is not used or under cleaning,, please hold the plug and unplug it. Do not unplug it forcefully or by pulling the power cable.
- All power cords must conform to related safety and regulations
- Do not switch on and off the projector constantly in very short intervals, otherwise the light source's and other electrical parts' life will be shortened .
- Before any installation, maintenance and cleaning work, please ensure the projector is disconnected from power mains.



- Under normal temperature, the temperature of the housing will be 55°C; after being stable, the unit's surface temperature will be 70°C
- While operated, do not touch the metallic housing. It is very hot during operation.



- Do not mount the projector directly on inflammable surface.
- Do not project the beam straightly on combustibile items and the minimum distance between the projector and illuminated items is 10m.
- A projector should be installed with good ventilation.



2. INSTRUCTIONS

•CLEANING AND MAINTENANCE

For the units with optical lens, because of the accumulation of the smoke, oil and dust on lens, the light output will be compromised. For the reliable use of the unit, it is very necessary to keep its surface clean. The unit is IP66 rating waterproof device. Unless approval by some professional technician for necessary internal component replacement, it's forbidden to dismantle the unit.

Cleaning frequency is to be decided by operations and its environment. Use soft cloth and normal detergent for glass for cleaning work. It's advised external optical system be cleaned every 20days. Keep lens clean and do not touch optical parts with bare hands.



- Before any maintenance and cleaning, please ensure the project is off the power
- Only qualified person is allowed to do maintenance
- During maintenance and before maintenance, the projector must be off power.

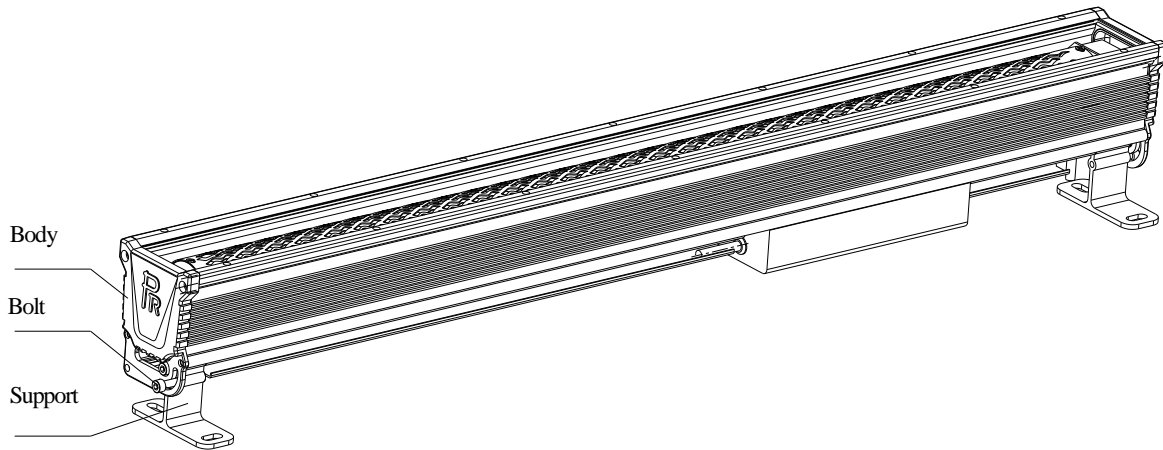


- To avoid internal damage, sun light or other light mustn't penetrate into the projector via front lens whether it runs or not
- Do not use alcohol or other organic solvent to clean the housing to avoid damage.
- Do not use any solvent with chemical elements to clean color filters or hot mirror.

•TROUBLESHOOTING

PROBLEM	ACTION
The projector doesn't switch on	<ul style="list-style-type: none"> ➤ Check the power cord connection ➤ Power Switch fails or is not connected well, call a professional technician for repairing and checking ➤ Control board is not connected normally, call a professional technician for repairing and checking ,
The project can be turned on, but the LED lamps can't be on	<ul style="list-style-type: none"> ➤ LED lamp board is not connected well, call a professional technician for repairing and checking
The LED lamps can be on, but not controlled by DMX	<ul style="list-style-type: none"> ➤ Check if DMX Start Address is properly set ➤ Check if XLR cable fails or not
The brightness decreases obviously	<ul style="list-style-type: none"> ➤ Ambient temperature is too hot which makes the projector too hot, please take appropriate ventilation measures

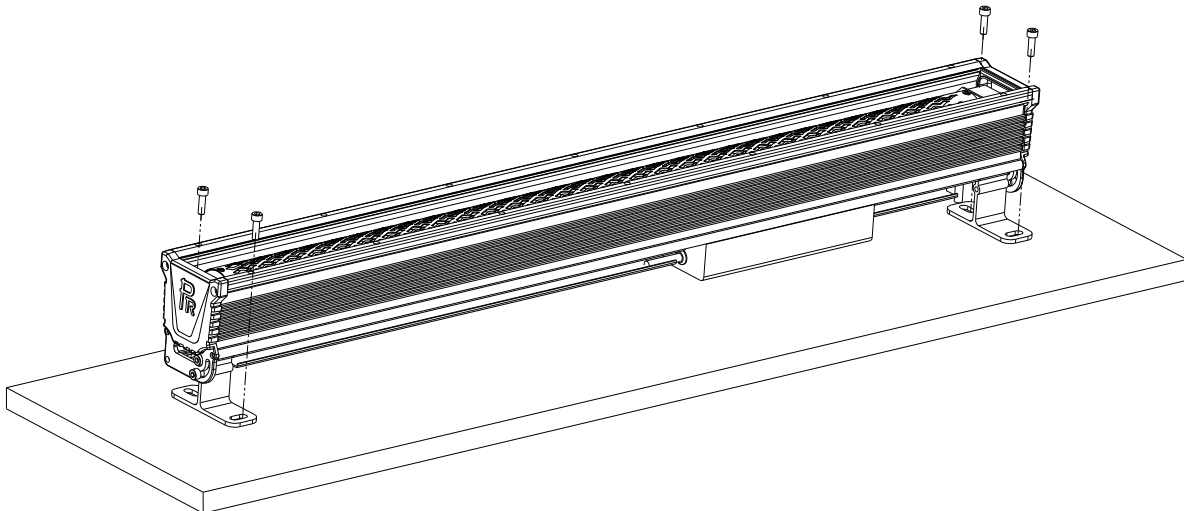
3. APPEARANCE



4. INSTALLATION

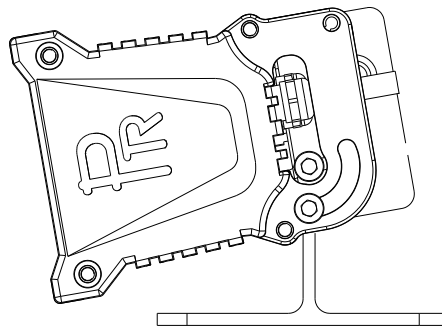
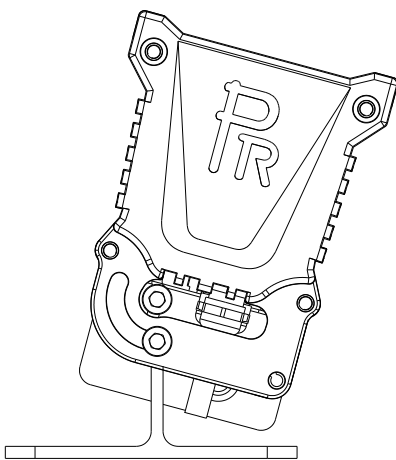
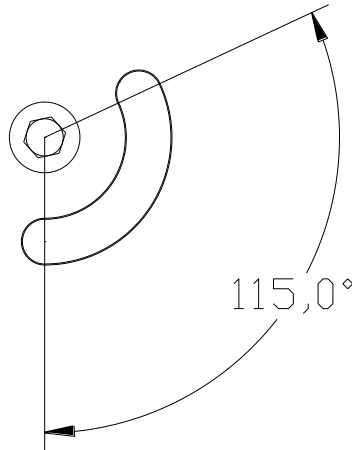
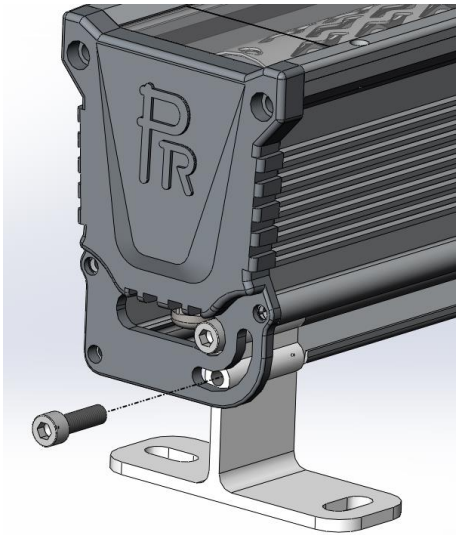
●FIXING FIXTURE (FOR REFERENCE)

Place a fixture in the place to be illuminated and use screws to tighten it. Please be sure it is tightened.



●ADJUSTING A FIXTURE'S ANGLE:

Use inner hexagon spanner to loosen the adjusting bolt appropriately and rotate the fixture to the angle desired. Based on actual operations, the angle can be between 0 and 150 degrees.



●TRANSPORTATION

Before transportation, tighten screws after the fixture and the support are overlapped.

●POWER CONNECTION

Connect the power cord as follows:

- L (live) =brown
- E (earth) =yellow/green
- N (neutral) =blue

Before power connection, please ensure the power supplied must match what the nameplate says. It is recommended that each projector be connected with power separately so that they may be individually switched on and off.



- The earth wire(yellow/green) must be connected to the ground. And electrical connection must be in accordance with the standards concerned.
- If any questions about the electrical installation, do not continue but consult a qualified electrician.

5. DMX PROTOCOL

GBA Mode	HSIC Mode	Function	DMX Value	Description
1	1	Effect	0	Stop rotation

			1-128	Forward rotation from slow to fast
			129-255	Reverse rotation from slow to fast
2		Green(custom)	0-255	Linear adjusting (0-100%)
3		Blue(custom)	0-255	Linear adjusting (0-100%)
4		Amber(custom)	0-255	Linear adjusting (0-100%)
	2	Hue	0-255	
	3	Saturation	0-255	
	4	Brightness	0-255	Linear adjusting (0-100%)
5	5	Colour Temperature	0	No
			1-255	CT from warm to cold (2000K-5700K)
6	6	Dimmer	0-255	Linear dimmer (0-100%)
7	7	Strobe	0-5	No
			6-255	Strobe from slow to fast

Note: CT channel is of top priority. If it is on, green, blue, amber, hue and saturation channels are invalid.

6. TECHNICAL DATA

ELECTRIC PARAMETERS

Input voltage 100V~240V AC, 50/60Hz

Rated power 118W @ 230V

Maximum current 0.55A

Power factor PF>0.9

LIGHT SOURCE SPECIFICATIONS

Light source

36pcs of 3W LED lamps(12G+12B+12A), LED lamp colors are custom

Manufacturers Rated Lamp Life

50000hours

DIMMER

Linear Dimmer from 0-100%

STROBE

Electronic Strobe 0-25FPS.

FIELD ANGLE(1/10peak) $\theta_{1/10}$

Angle options

25 x 80degrees (W x L)

30 x 65degrees (W x L)

35 x 80 degrees (W x L)

45 x 75 degrees (W x L)

45 degrees

CONTROL

International standard DMX512 signal control protocol DMX512+RDM 5-pin interface

2 operation modes(GBA mode and HSIC mode)

OTHER FUNCTIONS

Online firmware upgrade

Over temperature protection

HOUSING

High tensile cast Aluminum alloy+ extruding aluminum , IP66

NET WEIGHT

6.2Kg

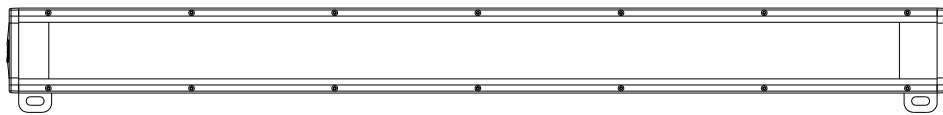
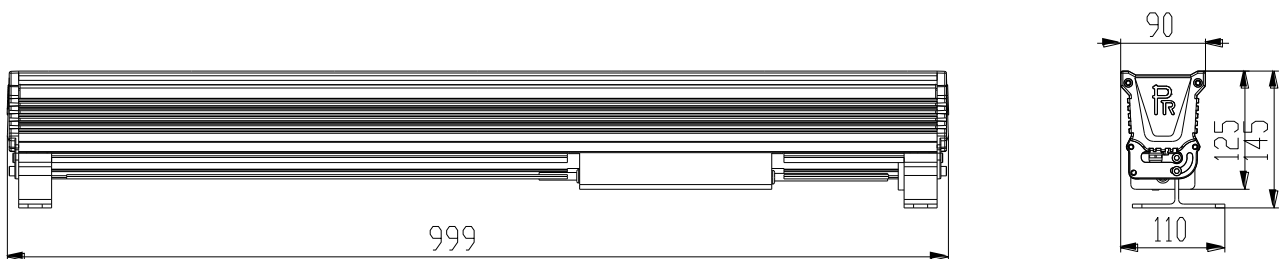
Gross weight 7.2Kg

OPERATION TEMPERATURE:

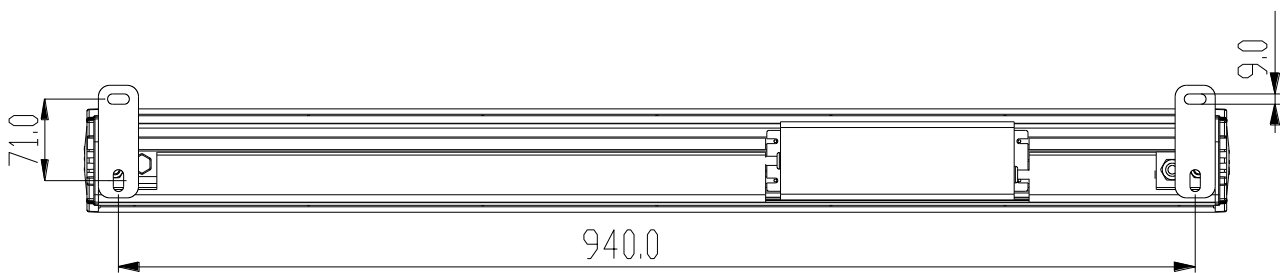
Maximum ambient temperature 40 °C

SIZES:

999*90*145 (with the support)

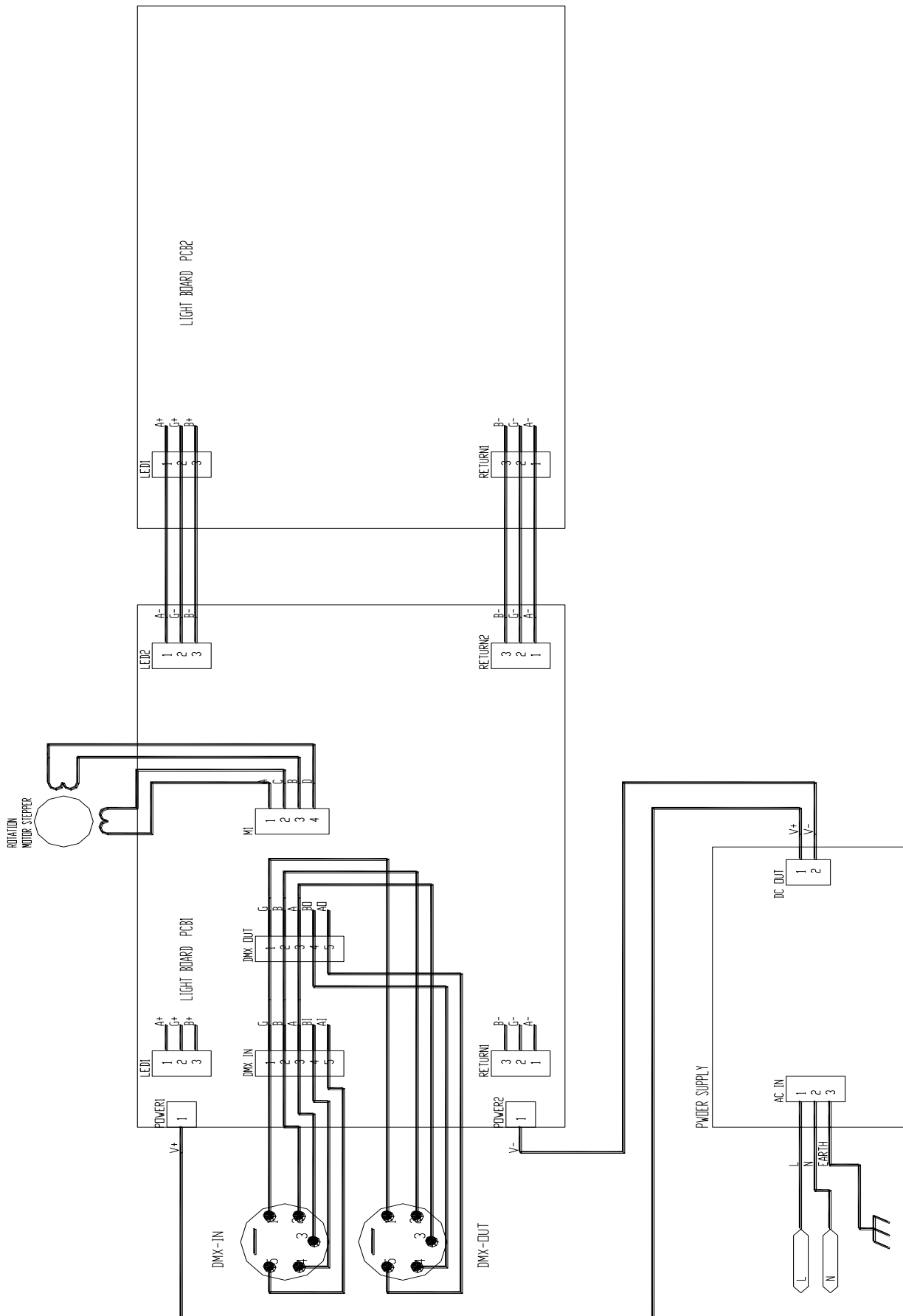


The installation diagram of the support



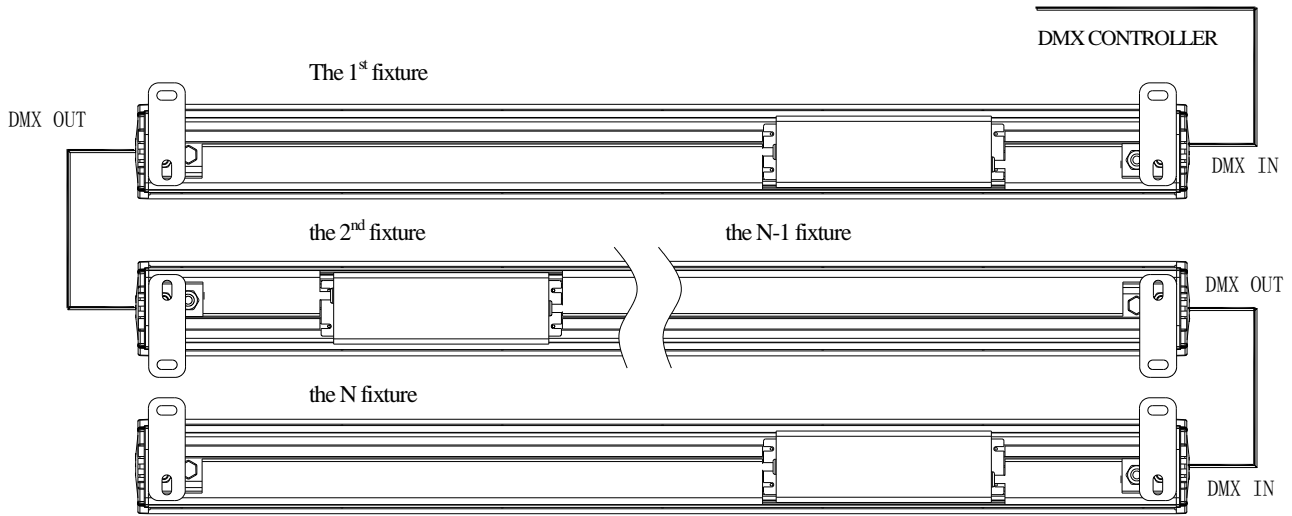
7. CIRCUIT DIAGRAM AND FIXTURE CONNECTIONS

●CIRCUIT DIAGRAM

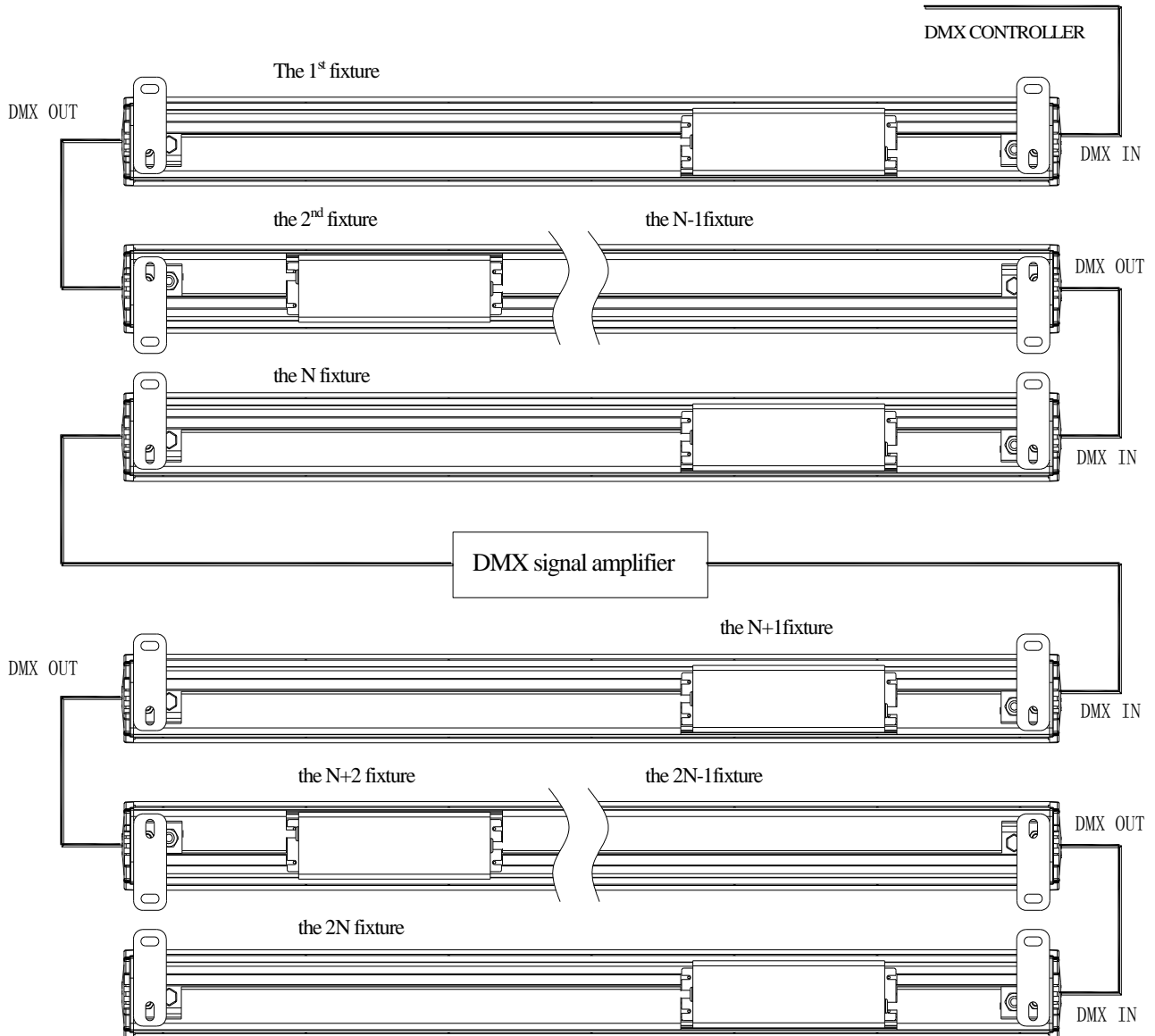


●DMX CONTROL SIGNAL CONNECTION AND SIGNAL AMPLIFIER CONNECTION

Control signal connection (Please take note of the wiring direction)



The connection of the signal amplifier (please note the wiring direction)



Remarks:

1. Based on the actual operation, select proper quantity of the fixtures; Signal amplifiers like the fixture and other stage products are loads, therefore the **total loads are not more than 32pcs** in number counting from DMX out interface of the DMX console.
2. Please calculate the proper number of the fixtures in a DMX chain **based on its power, line voltage ,line load and the specification and length of the cable.**

8. COMPONENT ORDER CODES

NO.	NAME	CODE NO.	QTY	REMARKS
1	TRANSPARENT BOARD OF PR-6811	6080000017	1	
2	SEAL OF PR68-11	6290000028	2	
3	SWITCHING POWER SUPPLY OF PR-6811	6120110042	1	
4	LAMP BOARD 1 OF PR-6811	6230000135	1	
5	LAMP BOARD 2 OF PR-6811	6230000136	1	
6	STEPPING MOTOR	030040073B	1	

PR LIGHTING LTD.

1582 Xingye Avenue, Nancun Panyu
Guangzhou, 511442 China
TEL: +86-20-3995 2888

PR lighting will try its best to offer accurate and overall information about a product's technical data. Any changes won't be notified if necessary. Patented Products.
Counterfeiting Will be Prosecuted!

P/N: 6320000114
Version: 20190403