

XR 1000 SPOT

PR-2720

This product manual contains important information about the safe installation and use of this projector. Please read and follow these instructions carefully and keep this manual in a safe place for future reference.

PR LIGHTING LTD.
<http://www.pr-lighting.com>

INDEX

SAFE USAGE OF THE PROJECTOR	3
INSTALLING THE PROJECTOR	4
FITTING THE LAMP	4
POWER SUPPLY – MAINS	5
CONTROL CONNECTIONS	5
DMX TERMINATOR	6
SETUP OPTIONS-PROJECTOR CONFIGURATION	6
TO SET THE DMX START ADDRESS	6
OPERATION MENU	7
ERROR MESSAGES	10
REPLACING GOBOS	11
DMX PROTOCOL	12
LED INDICATION	15
MAINTENANCE	15
LUBRICATION	15
KEEPING THE PROJECTOR CLEAN	15
TROUBLESHOOTING	15
TECHNICAL DATA	16
ELECTRICAL DIAGRAM	20
COMPONENT ORDER CODES	21

Please note that as part of our ongoing commitment to continuous product development, specifications are subject to change without notice. Whilst every care is taken in the preparation of this manual we reserve the right to change specifications in the course of product improvement. The publishers cannot be held responsible for the accuracy of the information herein, or any consequence arising from them.

Every unit is tested completely and packed properly by the manufacturer. Please make sure the packing and / or the unit are in good condition before installation and use. Should there be any damage caused by transportation, consult your dealer and do not use the unit. Any damage caused by improper use will not be assumed by the manufacturer and / or dealer.

ACCESSORIES

These items are packed together with the projector:

Name	Quantity	Unit	Remark
G clamps	2	Pcs	
XLR Signal Cable	1	Set	with plug and socket
Safety cord	1	Pc	
User's manual	1	Pc	
Ω clamps	2	Pcs	Optional

SAFE USAGE OF THE PROJECTOR

When unpacking and before disposing of the carton check there is no transportation damage before using the projector. Should there be any damage caused by transportation, consult your dealer and do not use the apparatus.

The projector is for indoor use only, IP20. Use only in dry locations. Keep this device away from rain and moisture, excessive heat, humidity and dust. Do not allow contact with water or any other liquids.

The projector is not designed or intended to be mounted directly on to inflammable surfaces.



The projector is only intended for installation, operation and maintenance by qualified personnel.

The projector must be installed in a location with adequate ventilation, at least 50cm from adjacent wall surfaces. Be sure that no ventilation slots are blocked.

Do not project the beam onto inflammable surfaces, minimum distance is 5m.



Avoid direct exposure to the light from the lamp. The light is harmful to the eye.

Do not attempt to dismantle and/or modify the projector in any way.

Electrical connection must only be carried out by qualified personnel.

Before installation, ensure that the voltage and frequency of power supply match the power requirements of the projector.

It is essential that each projector is correctly earthed and that electrical installation conforms to all relevant standards.

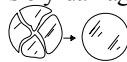
Do not connect this device to any other types of dimmer apparatus.

Make sure that the power-cord is never crimped or damaged by sharp edges. Never let the power-cord come into contact with other cables. Only handle the power-cord by the plug. Never pull out the plug by tugging the power-cord.

Keep the lamp clean. Do not touch the lamp glass with bare hand.

The projector should always be installed with a secondary safety fixing. A safety cord is supplied for this; it should be attached as shown in “installing the projector” section.

Shields and lens shall be changed if they have become visibly damaged to such an extent that their effectiveness is impaired, for example by cracks or deep scratches.



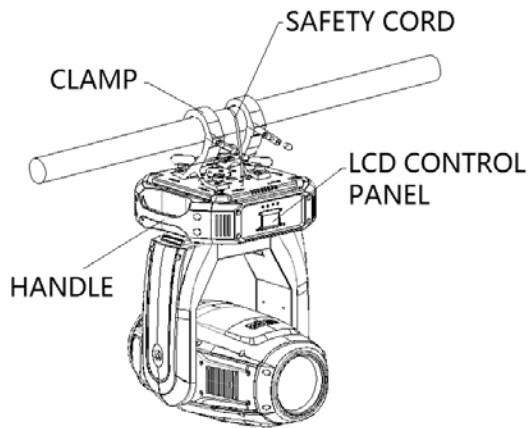
Exterior surface temperatures of the luminaire after 30 minutes operation is 80°C, when steady state is achieved 120°C,

There is no user serviceable parts inside the projector, do not open the housing and never operate the projector with the covers removed.

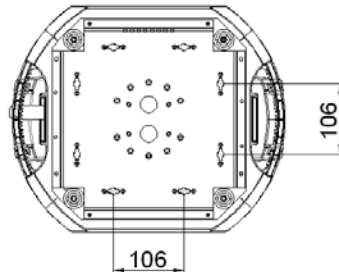
If you have any questions or suggestions, don't hesitate to consult your dealer or manufacturer

Always disconnection from Power, when the device not in use or before cleaning or any maintenance work !

INSTALL THE PROJECTOR



WARNING
PLEASE RUN THE SAFETY CORD THROUGH THE TWO HOLES FOR SAFETY.



Take 2 clamps and the safety cord out from the package and mount 2 clamps on the underside of fixture with 2 retainers attached to each clamp. Hang the fixture on the structure and fasten the screws attached to each clamp. (See the **WARNING** on the underside of the base as shown above) **To pass the SAFETY CORD through the HOLES for safety!** Always ensure that the projector is firmly anchored to avoid vibration and slipping whilst functioning. Always ensure that the structure that you are going to mount the projector to is secure and strong enough to support the weight of a XR Spot 800.

WARNING:

1. The projector **MUST** be lifted or carried by the **HANDLES** instead of clamps.
2. For safety the safety cord should afford 10 times the Projector's weight.

FITTING THE LAMP

Lock the yoke before fitting/replacing the lamp.

Just as Shown by Figure 1, after Opening the cover at the rear of the projector by loosening 4 fastfit screws, you can see the structure as shown in the figure 2 on the right.

Hold the bottom of a lamp while taking it out, then loosen the lamp anti-clockwise and pull it out from the rear of a projector. Lamp installation and Take-out are in reverse orders.

Note: don't touch the bulb of the new lamp with bare hands so as not to impair the beam output.

Close the rear cover and fasten 4 fastfit screws.

Important: Always read "Instructions for use" enclosed with the lamp.

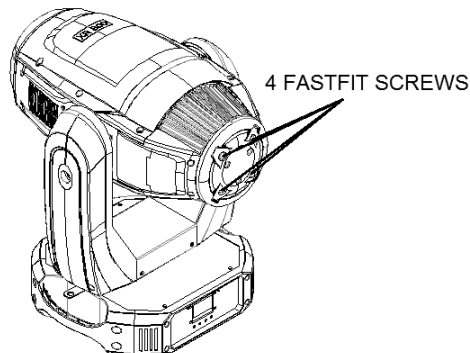


FIGURE 1

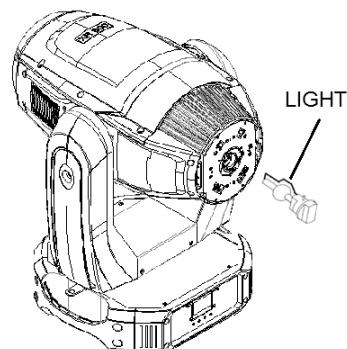


FIGURE 2

POWER SUPPLY-MAINS

Connect the power cord as follows:

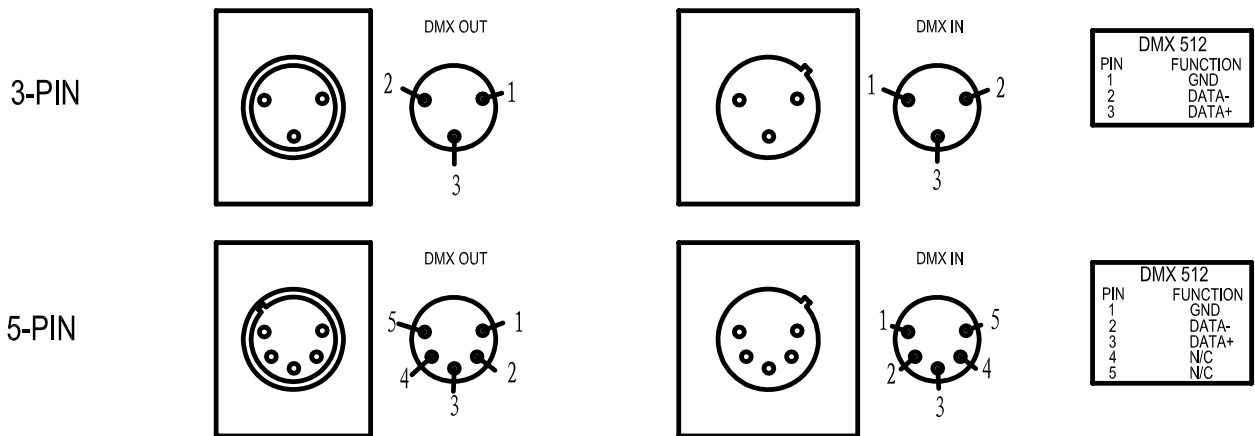
- L (live) =brown
- E (earth) =yellow/green
- N (neutral) =blue

Before connection with mains power, make sure that the voltage and frequency marked on the rating plate of the projector match what are supplied. It is recommended that each projector be supplied separately so that they may be individually switched on and off.

IMPORTANT

It is essential that each projector is correctly earthed(yellow/green twin wire) and the electrical installation conforms to all relevant standards.

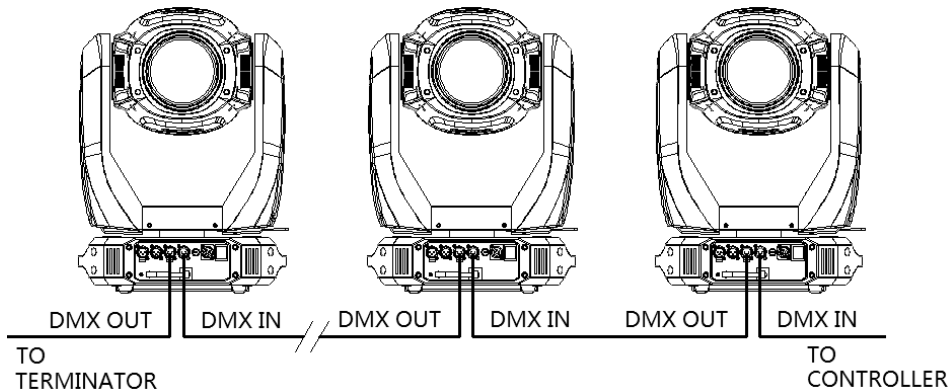
CONTROL CONNECTION



Connection between controller and projector and between one projector and another must be made with a twin-screened cable, with each wire having at least a 0.5mm in diameter. Connection to and from the projector is via cannon 5 pin (which are included with the projector) or 5 pin XLR plugs and sockets. The XLR's are connected as shown in the figure above.

Note: care should be taken to ensure that none of the pins touch the metallic body of the plug or each other. XLR plugs and sockets mustn't be connected in any way other than mentioned in the above figure. The XR Spot 800 accepts digital control signals in protocol DMX512 (1990).

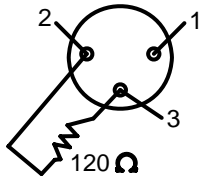
Connect the controller's DMX output to the first fixture's DMX input, and connect the first fixture's DMX output to the second fixture's DMX input and connect the rest fixtures in the same way. Eventually connect the last fixture's DMX output to a DMX terminator as shown in the figure below.



DMX TERMINATOR

In the Controller mode, at the last fixture in the chain, the DMX output has to be connected with a DMX terminator. This prevents electrical noise from disturbing and corrupting the DMX control signals.

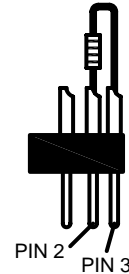
The DMX terminator is simply an XLR connector with a 120Ω (ohm) resistor connected across pins 2 and 3, which is then plugged into the output socket on the last projector in the chain. The connections are illustrated below.



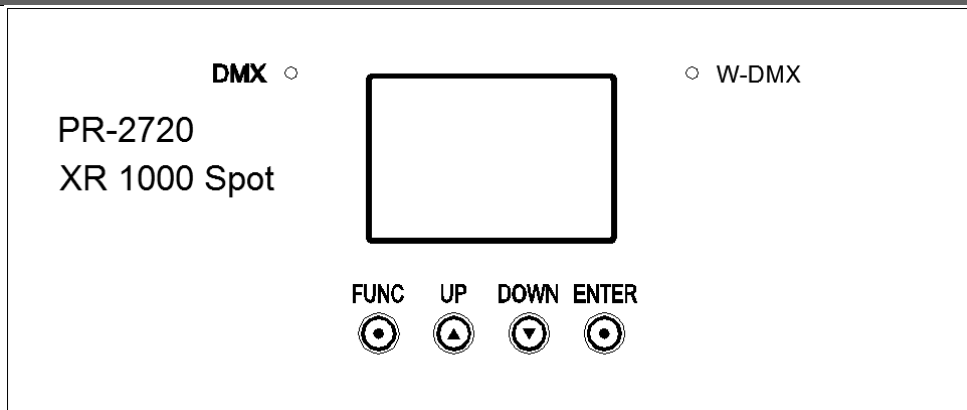
DMX TERMINATOR

CONNECTION

Connect a 120Ω(OHM) resistor across pins 2 and 3 in an XLR plug and insert into the DMX out socket on the last unit in the chain.



SETUP OPTIONS-PROJECTOR CONFIGURATION



Projector configuration can be set conveniently via push button and LCD display.

Launch the projector and press button **ENTER** for more than 5 seconds to unlock the panel, the LCD will show the function menu of the projector, each main menu has its submenus and each submenu has a specific function. For details, please see the “OPERATION MENU” section.

Press button **UP** or **DOWN** if you want to browse through the various Setup Options.

Press button **ENTER** to save your settings or enter the submenu.

Press button **UP** or **DOWN** to change values(plus or minus)

Press button **FUNC**, it will return to the upper menu. If button **FUNC** not pressed, the default will show display status automatically.

TO SET THE DMX START ADDRESS

Each XR 800 Spot must be given a DMX start address so that the correct projector responds to the correct control signals. This DMX start address is the channel number from which the projector starts to “listen” to the digital control information being sent out from the controller. The XR 800 Spot has 3 DMX modes. There are standard mode ,short mode and extended mode. For example standard mode has 28channels, so set the No. 1 projector’s address 001, No. 2 projector’s address 029, No. 3 projector’s address 057, No. 4 projector’s address 085, and so on.

Launch the projector. Press button **ENTER** more than 5 seconds to unlock panel.

Press button **ENTER** to display DMX address;

Press button **UP** and **DOWN**, you can set the address;

Press button **ENTER** to confirm; after powered on next time, the default will be last value saved

Press button **FUNC**, it will return to the upper menu.

OPERATION MENU

First Menu	Secondary Menu	Third Menu	Fourth Menu
DMX Address	DMX Address XXX (1~485)		
Reset	Are You Sure		
Config Settings	DMX Mode (Default: Standard)	Standard 16	
		Extended 16	
		Short 8	
	Lamp Control (Default: CHAN)	By Control Channel	
		By Power On	
		By DMX Present	
	Loss of DMX	When DMX is Lost Normal Time Out	
When DMX is Lost Hold Last Value			
Fan Operate Mode	Fan Operate Mode		
Factory Settings (Press button DOWN/UP/ENTER at the same time to enter the sub-menu)	Fixture Type (WARNING: Never change the fixture type or the system will be damaged!)		
Option Settings	Color Positions	Color Positions STEPPED	
		Color Positions LINEAR	
	F-Gobo Positions	F-Gobo Positions STEPPED	
		F-Gobo Positions LINEAR	
	Pan DMX Invert	Pan DMX Invert OFF	
		Pan DMX Invert ON	
	Tilt DMX Invert	Tilt DMX Invert OFF	
		Tilt DMX Invert ON	
	Pan Tilt Swap	Pan Tilt Swap OFF	
		Pan Tilt Swap ON	
	Dimmer Invert	Dimmer Invert OFF	
		Dimmer Invert ON	
	Iris Invert	Iris Invert OFF	
		Iris Invert ON	
	Zoom Invert	Zoom Invert OFF	
		Zoom Invert ON	
	CMY Invert	CMY Invert OFF	
		CMY Invert ON	
	CTO Invert	CTO Invert OFF	
		CTO Invert ON	
Defaults	Defaults OFF		
	Defaults Restore Defaults		

Display Options	Display Mode	Display Off After Delay	
		Display On Always	
	Display Invert	Display Invert OFF	
		Display Invert ON	
	Display Dimming	Disp Dim Level Min	
		Disp Dim Level 1	
		Disp Dim Level 2	
		Disp Dim Level 3	
		Disp Dim Level 4	
		Disp Dim Level 5	
		Disp Dim Level 6	
		Disp Dim Level 7	
		Disp Dim Level 8	
		Disp Dim Level 9	
Disp Dim Level Full			
Display Contrast	Display Contrast XX(1~21)		
Information	Lamp Hours	Lamp Hours= XX	
		Reset Lamp Hours Are You Sure	
	Total Hours	Total Hours= XX	
	Temperature	Display Board	Display Board= XX°C
		Driver Board 1	Driver Board 1= XX°C
		Driver Board 2	Driver Board 2= XX°C
		Driver Board 3	Driver Board 3= XX°C
		Pan and Tilt	Pan and Tilt= XX°C
	Head Sensor	Head Sensor= XX°C	
	Software Version	Display Board	Display Board= System= Boot=
Driver Board 1		Driver Board 1= System= Boot=	
Driver Board 2		Driver Board 2= System= Boot=	
Driver Board 3		Driver Board 3= System= Boot=	
Pan and Tilt		Pan and Tilt= System= Boot=	

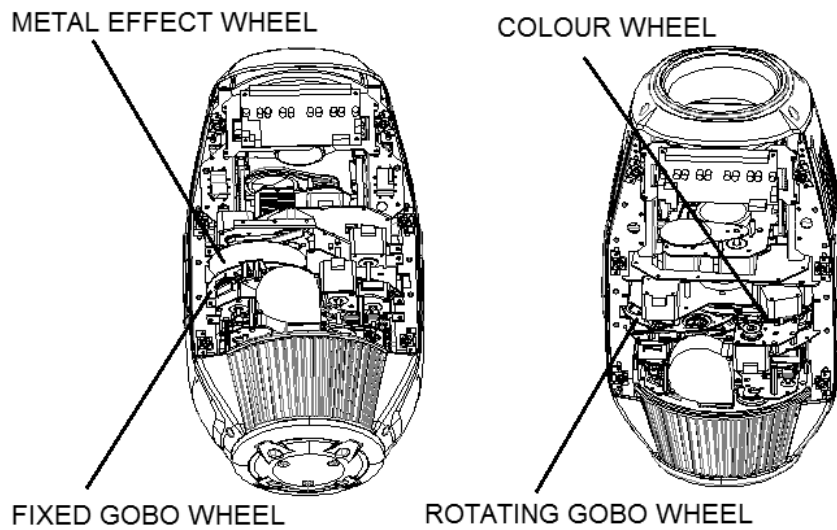
	View DMX Values	DMX Channel (1~512) =0		
	Electronic SN	Electronic SN= *****		
	RDM Device Label	RDM Device Label ANSI E1.20 RDM Version 1.0		
	Pan Encoder	Wiring Normal Pan Err To 20 Count 59200		
	Tilt Encoder	Wiring Normal Tilt Err 2 Count 29040		
	Driver Faults	X Over Temp 0 Y Over Temp 0 X Fault 0 Y Fault 0		
Test Modes	Factory Setup	Factory Setup OFF		
		Factory Setup ON		
	Self Test	Self Test OFF		
		Self Test ON		
Lamp Manual Control	Lamp Status	Off Command Sent S= 0 C= 0 Lamp Off		
	Turn Lamp On			
	Turn Lamp Off			
Wireless Options	Wireless Mode	Wireless Mode XLR First		
		Wireless Mode Wireless Only		
		Wireless Mode XLR Only		
		Wireless Mode Wireless To XLR		
		Wireless Mode Wireless First		
	Un-Link Wireless	Really Un-Link Enter=Yes		
Operation Mode	Operation Mode= DMX Operation			
	Operation Mode= Master Mode			
	Operation Mode= Slave Mode			
	Operation Mode= Static Scene			
User Memories	Edit User Memory	User Memory 1	Scene 1 (1~200)	
		User Memory 2		
		Static Scene		
	Init User Memory	Reset User Memory 1		Reset User 1 Unlock 2 3 4
		Reset User Memory 2		Reset User 2 Unlock 2 3 4
		Reset Static Scene		Reset User Scn Unlock 2 3 4

ERROR MESSAGES

In the course of launch, Projector examines automatically whether there are errors and if there are, it will display information as follows:

Sensor Err S1-M1	Colour wheel (1# drive board motor 1) error
Sensor Err S1-M2	CTO (1# drive board motor 2) error
Sensor Err S1-M3	CYM-magenta (1# drive board motor 3) error
Sensor Err S1-M4	CYM-yellow (1# drive board motor 4) error
Sensor Err S1-M5	CYM-cyan (1# drive board motor 5) error
Sensor Err S2-M1	Rotating gobo wheel (2# drive board motor 1) error
Sensor Err S2-M2	Gobo rotation (2# drive board motor 2) error
Sensor Err S2-M3	Effect wheel (2 drive board motor 3) error
Sensor Err S3-M1	Focus (3# drive board motor 1) error
Sensor Err S3-M2	Zoom(3# drive board motor 2) error
Sensor Err S3-M3	Prism (3# drive board motor 3) error
Sensor Err S3-M4	Prism rotation (3# drive board motor 4) error
Sensor Err S3-M5	Fixed gobo wheel (3# drive board motor 5) error
Over Temp Error	Over Temp Error
Temp Sense Error	Temp Sense Error
Head Fan 1 Fail	Head Fan 1 Fail
Head Fan 2 Fail	Head Fan 2 Fail
Head Fan 3 Fail	Head Fan 3 Fail
Head Fan 4 Fail	Head Fan 4 Fail
Pan Encoder Err	Pan Encoder Err
Tilt Encoder Err	Tilt Encoder Err
Pan Enc T Out	Pan Enc T Out
Tilt Enc T Out	Tilt Enc T Out
Pan Sensor Error	Pan Sensor Error
Tilt Sensor Error	Tilt Sensor Error
Pan Over Temp	Pan Over Temp
Pan Driver Fault	Pan Driver Fault
Tilt Over Temp	Tilt Over Temp
Tilt Driver Fault	Tilt Driver Fault
Pan Enc Rev Err	Pan Enc Rev Err
Tilt Enc Rev Err	Tilt Enc Rev Err

REPLACING GOBOS



Disconnect the fixture from power. Lock Tilt. Carefully lift off the cover by unfastening the 6 screws and see the structure shown as above.

For the replacement of fixed gobos, rotating gobos and effect wheel, the old ones can be directly taken out by hands and new ones be inserted with due care .

Close the side cover and fasten 6 fastfit screws and unlock tilt.

DMX PROTOCOL

Short mode	Standard mode	Extended Mode	FUNCTION	DMX	DESCRIPTION
1	1	1	Strobe	0-10	Black
				11-25	Open
				26-225	Strobe speed from slow to fast
				226-239	Macro 1
				240-241	Macro 2
				242-246	Macro 3
				247-255	Open
2	2	2	Dimmer	0-3	Black
				4-255	From dark to light(0-100%)
	3	3	Dimmer Fine	0-255	Dimmer in 16 bit
3	4	4	CYM Macro	0-16	White
				17-35	Yellow+ Magenta=Red
				36-54	Yellow
				55-73	Yellow +Cyan=Green
				74-92	Cyan
				93-110	Cyan + Magenta= Violet
				111-128	Magenta
129-255	CYM color mixing from slow to fast				
4	5	5	CYM-Cyan	0-255	Cyan (linear 0~100%)
		6	CYM-Cyan in 16 Bit	0-255	Cyan 16 Bit
5	6	7	CYM-Yellow	0-255	Yellow (linear 0~100%)
		8	CYM-Yellow in 16 Bit	0-255	Yellow in 16 Bit
6	7	9	CYM-Magenta	0-255	Magenta (linear 0~100%)
		10	CYM-Magenta in 16 Bit	0-255	Magenta in 16 Bit
7	8	11	CTO	0-255	Linear adjust from high to low
		12	CTO in 16 Bit	0-255	CTO in 16 Bit
8	9	13	Color Wheel	0-8	White
				9-15	White+ Color 1
				16-23	Color 1 (Blue)
				24-30	Color 1+ Color 2
				31-38	Color 2 (Green)
				39-45	Color2+ Color 3
				46-53	Color3 (Orange)
				54-60	Color3+ Color 4
				61-68	Color4 (Magenta)
				69-75	Color4+ Color 5
				76-83	Color5 (CTB)
				84-90	Color5+ Color 6
				91-98	Color6 (Purple)
				99-105	Color6+ Color 7
106-113	Color7 (Red)				

				114-120	Color7+ White
				121-127	White
				128-191	Rotation ,Clockwise from slow to fast
				192-255	Rotation, Anti-clockwise from slow to fast
9	10	14	Iris	0-255	From large to small (0-100%)
		15	Iris Fine	0-255	Iris in 16 Bit
10	11	16	Iris Macro	0-10	White
				11-72	Iris Effect 1
				73-136	Iris Effect 2
				137-198	Iris Effect 3
				199-214	Iris Effect 4
				215-222	Iris Effect 5
				223-230	Iris Effect 6
				231-255	Fully Open
11	12	17	Fixed Gobo Wheel	0-16	White
				17-32	Gobo 1
				33-48	Gobo 2
				49-64	Gobo 3
				65-80	Gobo 4
				81-96	Gobo 5
				97-112	Gobo 6
				113-127	Gobo 7
				128-149	Rotation (clockwise From slow to Fast)
				150-171	ReverseRotation (anti-clockwiseFromslowtoFast)
				172-183	Shake of Gobo 1, speed from slow to fast
				184-195	Shake of Gobo 2 , speed from slow to fast
				196-207	Shake of Gobo 3, speed from slow to fast
				208-219	Shake of Gobo 4, speed from slow to fast
220-231	Shake of Gobo 5, speed from slow to fast				
232-243	Shake of Gobo 6, speed from slow to fast				
244-255	Shake of Gobo 7, speed from slow to fast				
12	13	18	Rotating Gobo Wheel	0-16	White
				17-32	Gobo 1
				33-48	Gobo 2
				49-64	Gobo 3
				65-80	Gobo 4
				81-96	Gobo 5
				97-112	Gobo 6
				113-127	Gobo 7
				128-156	Rotation (Clockwise From slow to Fast)
				157-185	Rotation (Anti-clockwise From slow to Fast)
				186-195	Shake of Gobo 1, speed from slow to fast
				196-205	Shake of Gobo 2 , speed from slow to fast
				206-215	Shake of Gobo 3, speed from slow to fast

				216-225	Shake of Gobo 4, speed from slow to fast
				226-235	Shake of Gobo 5, speed from slow to fast
				236-245	Shake of Gobo 6, speed from slow to fast
				246-255	Shake of Gobo 7, speed from slow to fast
13	14	19	Gobo Rotation	0-127	Gobo index
				128	Stop rotating
				129-188	Rotation (Clockwise From slow to Fast)
				189-195	Stop rotating
				196-255	Rotation (Anti-Clockwise From slow to Fast)
	15	20	Gobo Rotation Fine	0-255	Gobo rotation in 16 Bit
14	16	21	Prism	0-16	White
				17-255	Prism
15	17	22	Prism Rotation	0-127	Prism index
				128	Stop rotating
				129-191	Rotation(Clockwise from slow to fast)
				192	Stop rotating
				193-255	Rotation(Anti- Clockwise from slow to fast)
16	18	23	Metal Effect Wheel	0-4	No effect wheel
				5-255	Effect Wheel
17	19	24	Metal Effect Wheel Rotation	0-127	Rotation (clockwise From slow to Fast)
				128-255	Rotation (Anti-clockwise From slow to Fast)
18	20	25	Frost Filter	0-255	Linearly frost filter
19	21	26	Focusing	0-255	Linearly focusing
		27	Focusing Fine	0-255	Focus in 16 bit precision
20	22	28	Zooming	0-255	Linearly zooming
		29	Zooming Fine	0-255	Zoom in 16 bit precision
21	23	30	Pan	0-255	Pan rotation (0°~540°)
	24	31	Pan Fine	0-255	Pan rotation in 16 bit precision
22	25	32	Tilt	0-255	Tilt rotation (0°~270°)
	26	33	Tilt Fine	0-255	Tilt rotation in 16 bit precision
	27	34	Pan & Tilt Speeds	0-255	Pan & Tilt speed from fast to slow
23	28	35	Control	0-047	Reserved
				48-80	Reset
				81-112	Reserved
				113-144	Lamp Off (Delay for 3 s)
				145-168	Reserved
				169-200	Lamp power reduced to 50%
				201-223	Reserved
				224-255	Lamp on (see remark below)

Remark:

If you intend to turn on/off the lamp via the last channel of the controller, don't attempt to push the channel to value 224-255 immediately after turning it off, or push the slide bar to value 224-255 to wait it cooling. Under these 2 circumstances, the lamp can not be turned on. The right operation is: turn it off---cool down---push the slide bar to turn it on.

LED INDICATION

Green	On	DMX signal OK
	Off	No DMX signal
	Flash	DMX signal error
Yellow	On	Setting the panel
Blue	On	Power
Red/Green	Red	Running self test mode
	Green	Reserved
Green	On	Wireless signal OK
	Off	Not connection to any transmitter
	Flash	Lost contact with the transmitter or linking transmitter

MAINTENANCE

If the projector's lens becomes damaged or broken it should be replaced. If the lamp becomes damaged or deformed in any way it must be replaced. If the light from the lamp appears dim this would normally indicate that it is reaching the end of its life and it should be changed at once, aged lamps run to the extremity of their life might explode. If the projector does not function, check the fuses on the power socket of the projector, they should only be replaced by fuses of the same specification. The projector has overheat protection device that will switch off the projector in case of overheating. Should it happen, check if the fans are blocked or not, or if they are dirty, clean them before switching on the projector again.

Any maintenance work should only be carried out by qualified technicians.

LUBRICATION

To ensure the smooth rotation of the rotating gobos and movement of the lens for focusing, it is recommended that the bearings for the rotating gobos and the 2 sliding tracks for the focusing lens holder be lubricated every two months. Use only high quality, high-temperature grease .

KEEPING THE PROJECTOR CLEAN

To ensure the reliability of the projector it should be kept clean. It is recommended that the fans should be cleaned every 15 days. The lens and dichroic colour filters should also be regularly cleaned to maintain an optimum light output. **Do NOT use any type of solvent containing chemical elements on dichroic colour filters.**

Cleaning frequency depends on the environment in which the fixture operates. A soft cloth and typical glass cleaning products should be used in cleaning. It is recommended to clean the external optics at least once every 20 days and clean the internal optics at least once every 30 / 60 days.

Do not use any organic solvent, e.g. alcohol, to clean the reflector mirror, dichroic colour filters or housing of the apparatus.

TROUBLESHOOTING

PROBLEM	ACTION
The projector doesn't switch on	<ul style="list-style-type: none"> ➤ Check the fuse on the power socket. ➤ Check the lamp.
The lamp is on but the projector doesn't respond to the controller	<ul style="list-style-type: none"> ➤ Make sure that the fixture's start address is right ➤ Replace or repair the XLR signal cable.
The projector functions intermittently	<ul style="list-style-type: none"> ➤ Make sure the fan is working well or fans and their shields are not blocked
Beam appears dim, Low in brightness	<ul style="list-style-type: none"> ➤ Make sure the lamp is within its lifespan ➤ Remove dust or grease from the lenses.
The project image appears to have a halo	<ul style="list-style-type: none"> ➤ Carefully clean the lamp, optical lenses and other components.
Heavily Defective Beam	<ul style="list-style-type: none"> ➤ Check if lens are in good condition(not cracked) ➤ Clean dust or grease on the lens.

TECHNICAL DATA

VOLTAGES:

200V~240V AC, 50/60Hz

POWER CONSUMPTION:

1200W@220V

LAMP:

OSRAM	HTI [®] 1000W/PS Lok-it! [®]
Colour temperature	5800K
Socket	PGJX36
Manufacturers rated lamp life	750hours

Or

PHILIPS	MSR GoldTM 1000 MiniFastFit
Colour temperature	6000K
Socket	PGJX36
Manufacturers rated lamp life	750hours

COLOURS:

Smooth CYM colour mixing system with macro
1 color wheel with 7 color plus white
With variable speed bi-directional rainbow effect
Step/linear colour changing is

COLOUR TEMPERATURE CORRECTION:

Linearly colour temperature correction

FIXED GOBO WHEEL:

1 Fixed gobo wheel : 7 gobos+ white
Shake and bi-directional wheel scroll at variable speeds
Fixed gobo replaceable, standard size: 27.8mm external diameter, 23mm image area diameter.

ROTATING GOBO WHEEL:

1 rotating gobo wheel: 7 gobos +white
Shake and bi-directional wheel scroll at variable speeds
Rotating gobo replaceable, standard size: 27.8mm external diameter, 23mm image area diameter.

PRISM:

1pc,3-facet rotating prism(bi-directional with variable speeds)

FROST FILTER:

1pc frost filter, 0-100% linearly adjustable . (prism priority)

EFFECT WHEEL:

1pc rotating fire effect wheel(bi-directional with variable speeds)
Fire effect wheel replaceable, standard size: 115mm external diameter, 113mm image area diameter.

FOCUSING:

DMX linear focusing

ZOOMING:

DMX linear zooming

DIMMER:

0-100% linearly adjustable

IRIS:

5-100% linearly adjustable

Macro

SHUTTER:

Double shutter blades, 0.3~25 F.P.S

Macro

HEAD MOVEMENT:

Pan 540°, tilt 270° with auto position correction

BEAM ANGLE:

9°~60°, linear zoom in 16 bit precision

CONTROL:

DMX512, 3 pin and 5 pin interfaces

RDM control protocol

23 channels in short mode, 28channels in standard mode and 35 channels in extended mode

Self-test mode

OTHER FUNCTIONS:

Adjustable pan & tilt speed

Fixture and lamp usage time display

LCD display with English and Chinese language menu

Energy saving function of the ballast

Built-in analyzer for easy fault finding, error messages

Input signal isolating protection

Modular construction for easy maintenance

DMX512 wireless receiver

DMX512 wireless transmitter (optional)

HOUSING:

Composite plastic, IP20

Optional Electric Power driven water proof cover, water proof system control by DMX with IP44

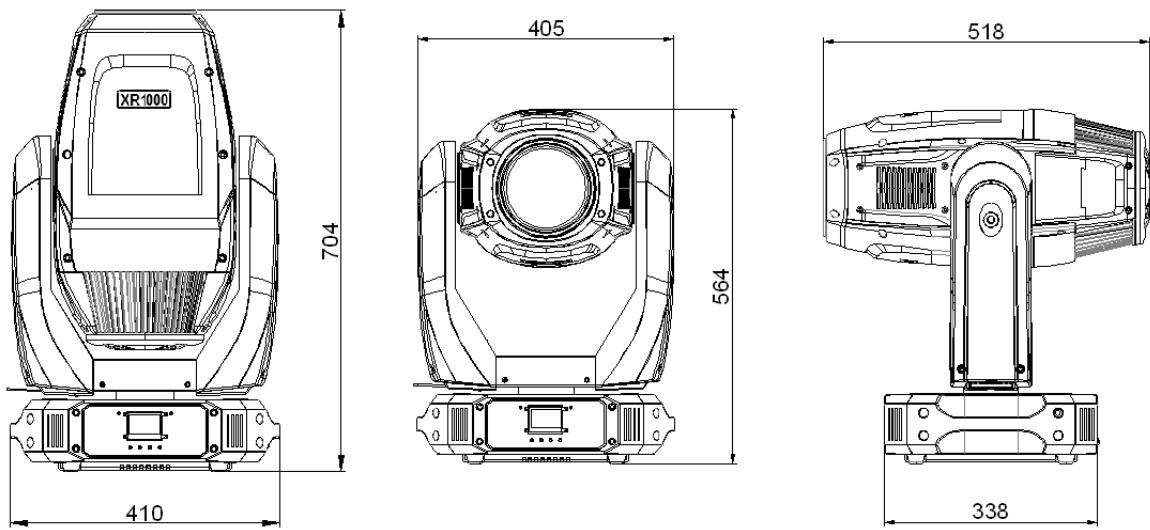
NET WEIGHT:

31.5Kg

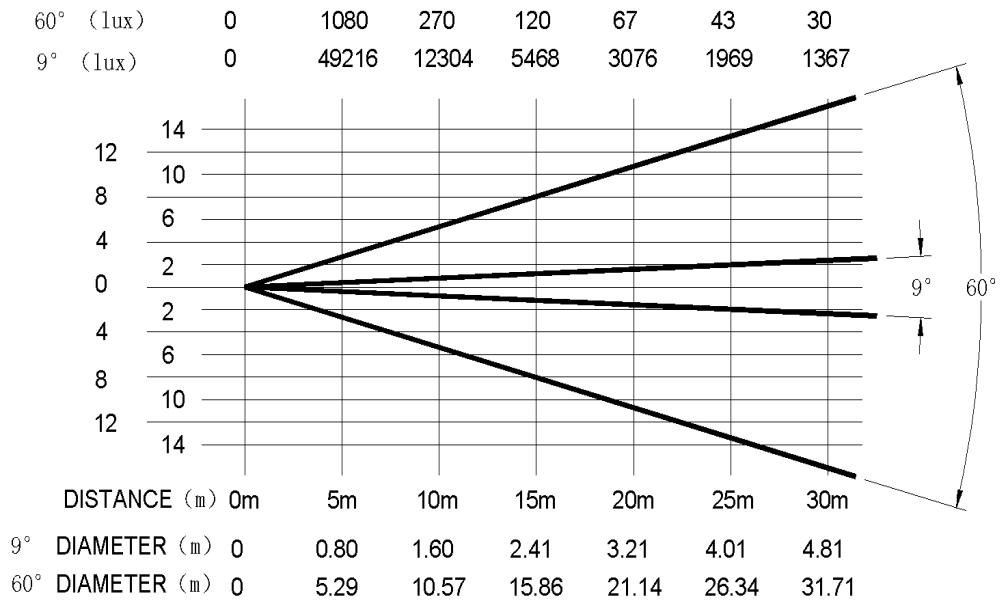
GROSS WEIGHT (IN FLIGHT CASE):

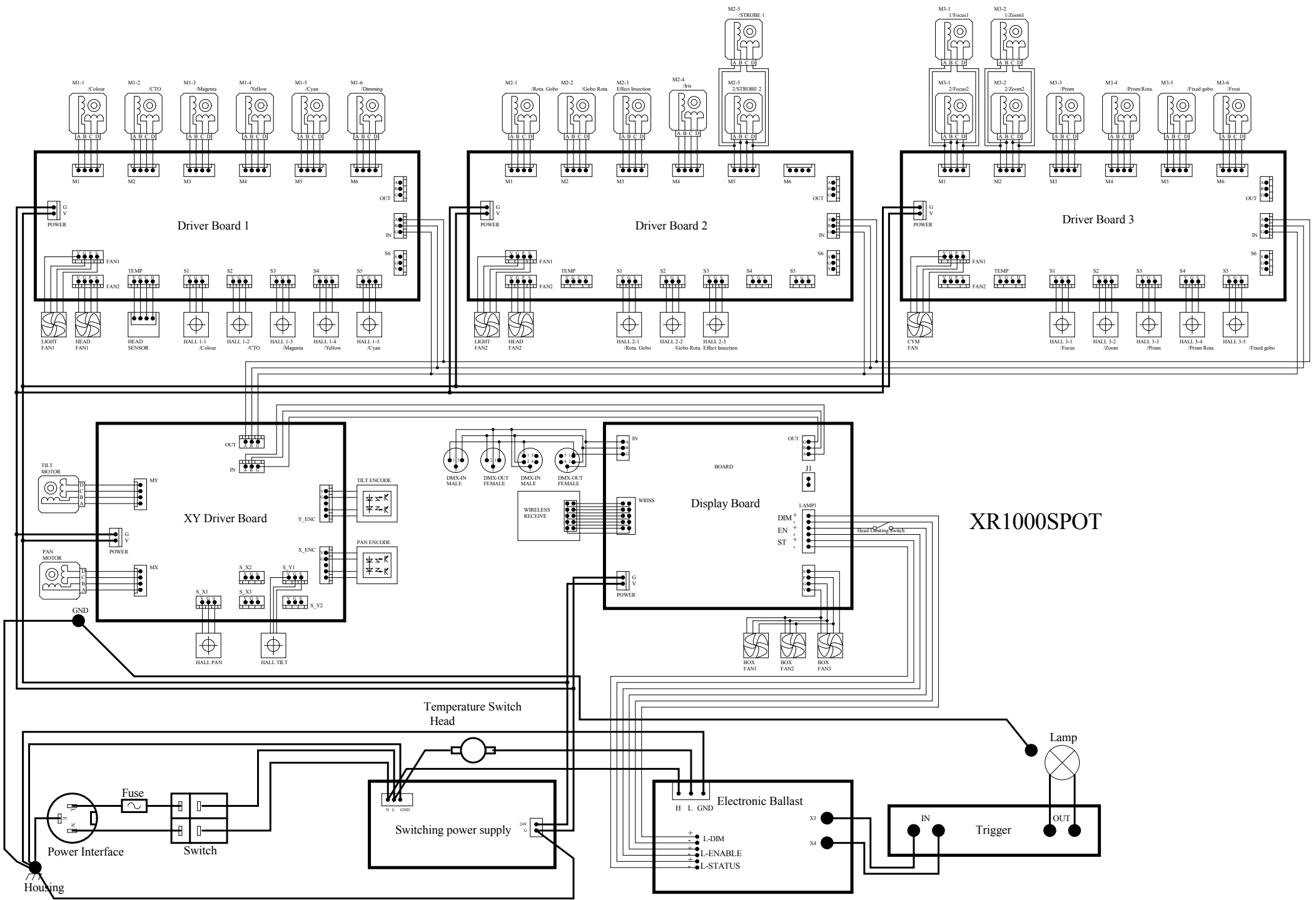
63.5Kg

SIZES:



LIGHT OUTPUT:





COMPONENT ORDER CODES

NAME	PART NO.	QUANTITY	REMARK
Pan motor	030040178	1	
Tilt motor	030040178	1	
Dimmer motor	030040186	1	
Shutter blade motor	030040210	2	
CYM/CTO motor	030040211	4	
Rotating gobo wheel motor	030040212	1	
Fixed gobo wheel motor	030040215	1	
Color wheel motor	030040217	1	
Iris motor	030040217	1	
Gobo rotation motor	030040218	1	
Effect wheel motor	030040219	1	
Focus motor	030040219	2	
Frost motor	030040219	1	
Zoom motor	030040219	2	
Prism rotation motor	030040220	1	
Prism motor	030040221	1	
Effect rotation	030040227	1	
Fan 1	030060050	1	
Fan 2	030060055	1	
Fan 3	030060064	4	
Fan 4	030060072	2	
Fan 5	030060079	2	
Fan 6	030060089	1	
Electric ballast	040070116	1	
Ignitor	040090062	1	
Lamp	100070032	1	
Effect wheel	110010096	1	
Rotating gobo wheel	120110629	1	
Color wheel	120110623	1	
Fixed gobo wheel	120110630A	1	
Power supply	190010179	1	
Thermostat	190010150	1	
Mains filter	193020010	1	
Display PCB	230020667A	1	
Motor drive PCB 1	230020671A	1	
Motor drive PCB 2	230020673A	1	
Motor drive PCB 3	230020674A	1	
Pan/tilt drive PCB	230060322	1	
Tilt drive belt	290151241	1	
Zoom drive belt	290151246	2	
Effect rotation drive Belt	290151253	1	
Fixed gobo wheel drive belt	290151255	1	
CYM/CTO drive belt	290151258	4	
Effect wheel drive belt	290151320	1	
Dimmer drive belt	290151330A		
Prism drive belt	290151334	1	
Gobo rotation drive belt	290151354	1	
Color wheel drive belt	290151355	1	
Rotating gobo wheel drive belt	290151356	1	
Prism rotation drive belt	290151358	1	
Focus drive belt	290151359	2	
Pan drive belt	290151388	1	

PR LIGHTING LTD.

1582 Xingye Avenue, Nancun Panyu
Guangzhou, 511442 China
TEL: +86-20-3995 2888
FAX: +86-20-3995 2330

P/N:320020201A
Version:20150109